

Opus Wallpack Installation

220-240V / 50-60Hz

IP65

IK10

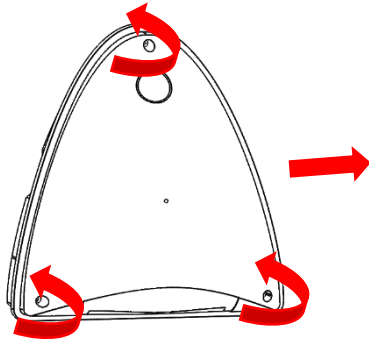
Terminal Labelling:	
Power	
L1	Switched Live
E	Earth
N	Neutral
Emergency	
L2	Unswitched Live
DA/AT3	DALI Autotest
DA/AT3	DALI Autotest
Dimming	
-D1/DA	Analogue/DSI/DALI
+D2/DA	Analogue/DSI/DALI
L3	Switch Dim / Corridor Function



WARNING: Luminaire must be earthed. Risk of electric shock from LED boards if operated with cover removed. Installation / operation outside of luminaires intended scope invalidates warranty. Suitable only for domestic / light industrial / industrial applications within the scope of EN55015. Tested to compliance with BSEN 60598: specification for general requirements and tests. Must be installed by a suitably qualified person in accordance with all relevant legislation. Ambient operating temperature of 0°C to 25°C. If maximum operating temperature is exceeded luminaire will automatically dim / switch off. Terminal blocks are rated to 16A unless stated otherwise. The light source contained in this luminaire shall only be replaced by the manufacturer or his service agent or a similar qualified person. **LUMINAIRES WITH EMERGENCY PACK:** When supply is isolated battery output terminals may be live if battery is connected. Isolate mains and battery before servicing. Emergency luminaires require unswitched live connection taken from same phase as switched supply. When unswitched supply is connected status indicator illuminates green, when unswitched supply is disconnected indicator extinguishes and luminaire operates in emergency mode. 24 hour charge period required before undertaking full discharge test. Emergency test sheets provided should be used to record all emergency tests. Batteries should be replaced when 3 hour duration is not met. Excessive switching of permanent live may result in premature battery failure. Battery electrolyte can be harmful to eyes / open wounds, do not puncture, if electrolyte touches skin / eyes flush with water. Do not incinerate batteries.

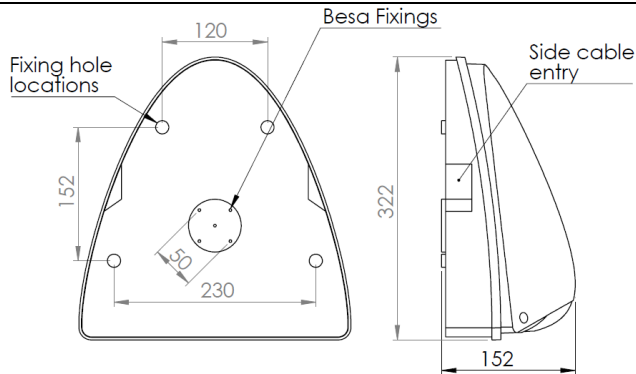
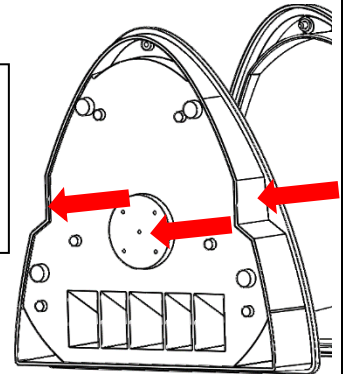
1.

Loosen off the 3 screws to remove cover.



2.

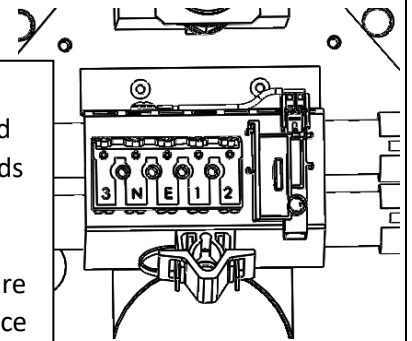
Fitting suitable for multiple mounting methods/cable entry points – drill to suit.



Mark out & prepare wall as required.

3.

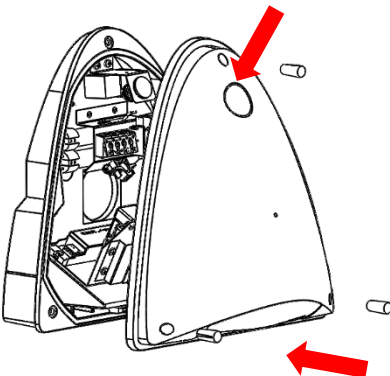
After mounting the fitting to the wall and installing any IP glands necessary, wire into the appropriate terminals, making sure to clamp them in place with the wire clamp provided.



4.

Photocell

Ensuring all holes drill have been sealed to IP65, refit cover and fasten the screws. Fit cover caps in each hole in the orientation if the keys.



NOTES:

- Full IP ratings only apply when luminaire is mounted with the photocell at the top.
- It is the responsibility of the installer to ensure the IP ratings are maintained during installation of the fitting.
- This luminaire is only suitable for domestic, light industrial and industrial environments which are within the scope of EN 55015.
- Not for use in hazardous areas, areas of excessive heat or where airborne fatty substances may be present.
- Operating temperature is 0°C to 25°C. If the temperature exceeds the drivers maximum TA there is a safety mechanism where the driver will either dim or switch off to allow it to cool.

Opus Wallpack Installation

Maintenance

- 1 Disconnect luminaire before undertaking any maintenance or cleaning.
- 2 Cleaning should be undertaken on external parts of the luminaire only using a slightly damp lint free cloth.
- 3 Using a pan pozi screwdriver loosen x3 screws to remove cover.
- 4 To access Led circuit use a torx screwdriver to remove x3 screws from cover.
- 5 To remove gear tray and components use a pan pozi screwdriver.
- 6 Please contact Dextra for assistance with spare component supply.

