

220-240V / 50-60Hz
IP65 (below ceiling)
IK10



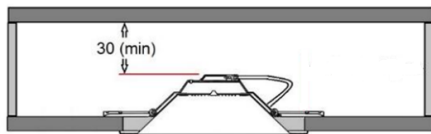
WARNING: Luminaire must be earthed. Risk of electric shock from LED boards if operated with cover removed. Installation / operation outside of luminaires intended scope invalidates warranty. Suitable only for domestic / light industrial / industrial applications within the scope of EN55015. Tested to compliance with BSEN 60598: specification for general requirements and tests. Must be installed by a suitably qualified person in accordance with all relevant legislation. Ambient operating temperature of 0°C to 25°C. If maximum operating temperature is exceeded luminaire will automatically dim / switch off. Terminal blocks are rated to 16A unless stated otherwise. The light source contained in this luminaire shall only be replaced by the manufacturer or his service agent or a similar qualified person. **LUMINAIRES WITH EMERGENCY PACK:** When supply is isolated battery output terminals may be live if battery is connected. Isolate mains and battery before servicing. Emergency luminaires require unswitched live connection taken from same phase as switched supply. When unswitched supply is connected status indicator illuminates green, when unswitched supply is disconnected indicator extinguishes and luminaire operates in emergency mode. 24 hour charge period required before undertaking full discharge test. Emergency test sheets provided should be used to record all emergency tests. Batteries should be replaced when 3 hour duration is not met. Excessive switching of permanent live may result in premature battery failure. Battery electrolyte can be harmful to eyes / open wounds, do not puncture, if electrolyte touches skin / eyes flush with water. Do not incinerate batteries.

Terminal Labelling:	
Power	
L1	Switched Live
E	Earth
N	Neutral
Emergency	
L2	Unswitched Live
DA/AT3	DALI Autotest
DA/AT3	DALI Autotest
Dimming	
-/D1/DA	Analogue/DSI/DALI
+/D2/DA	Analogue/DSI/DALI
L3	Switch Dim / Corridor Function

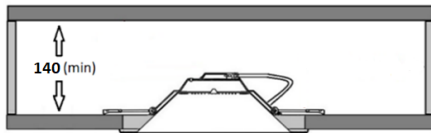


1. Void clearance required.

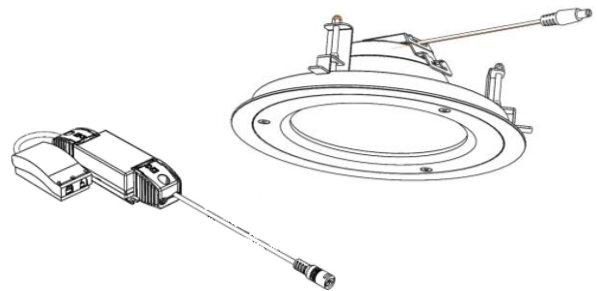
Standard Fitting



Emergency Fitting – due to emergency gear box

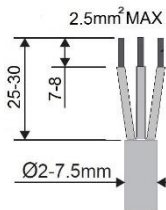
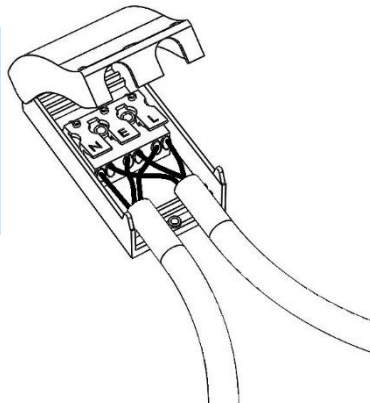
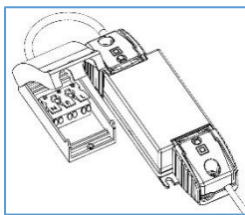


2.



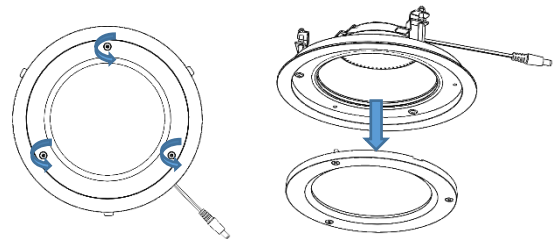
Cut-out (min) – 200mm

3.



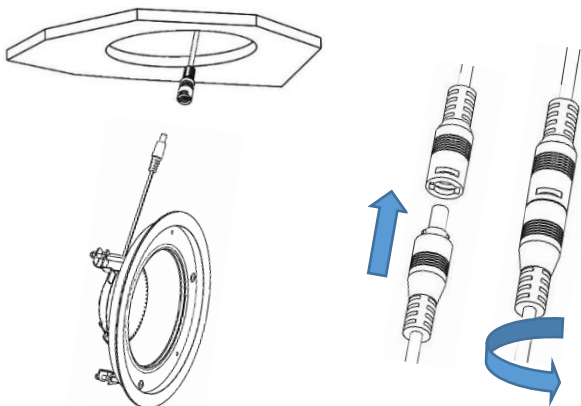
220-240V ~ 50/60Hz

4.



Remove front bezel and diffuser.

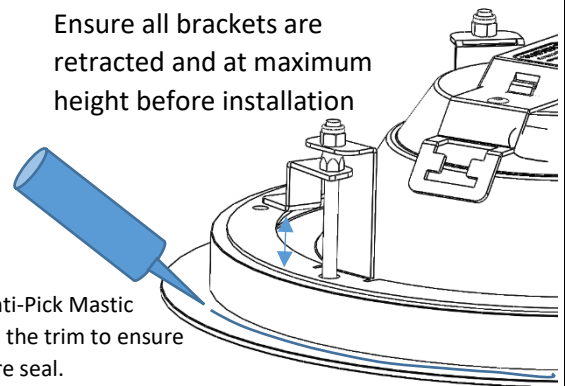
5.



6.

Ensure all brackets are retracted and at maximum height before installation

Run Anti-Pick Mastic behind the trim to ensure a secure seal.



<p>7.</p>	<p>8.</p> <p>Tighten the front 3 screws until the brackets engage on the back of the ceiling.</p> <hr/> <p>The brackets will swing out and engage on the back of the ceiling</p>
<p>9.</p> <p>Re attach front bezel and diffuser and secure in place using the tamper resistant screws supplied.</p>	<p>10.</p> <p>Run Anti-Pick Mastic around the profile of the fitting ensuring a water tight seal. Must be installed with anti pick mastic to meet ligature resistant requirements.</p>
<p>Maintenance</p> <ol style="list-style-type: none"> 1 Disconnect luminaire before undertaking any maintenance or cleaning. 2 Cleaning should be undertaken on external parts of the luminaire only using a slightly damp lint free cloth. 3 Remove x2 screws from top of fitting using a pan pozi screwdriver. 4 Remove front bezel to access LED circuit. 5 Using the same screwdriver remove the screw from the centre of the fitting. The diffuser and LED circuit can then be removed. 6 To remove emergency gear use a pan pozi screwdriver. 7 Standard driver is maintainable. 8 Please contact Dextra for assistance with spare component supply. <p style="text-align: center;">Battery Module</p> <p style="text-align: center;">Emergency Version Standard Version</p>	