

220-240V / 50-60Hz
IP20

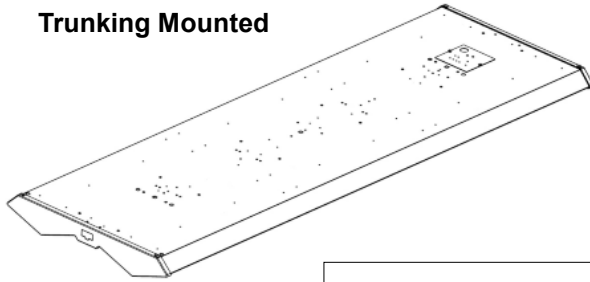


Terminal Labelling:

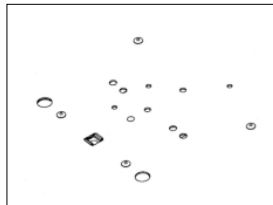
Power	
L1	Switched Live
E	Earth
N	Neutral
Emergency	
L2	Unswitched Live
DA/AT3	DALI Autotest
DA/AT3	DALI Autotest
Dimming	
-/D1/DA	Analogue/DSI/DALI
+/D2/DA	Analogue/DSI/DALI
L3	Switch Dim / Corridor Function

WARNING: Luminaire must be earthed. Risk of electric shock from LED boards if operated with cover removed. Installation / operation outside of luminaires intended scope invalidates warranty. Suitable only for domestic / light industrial / industrial applications within the scope of EN55015. Tested to compliance with BSEN 60598: specification for general requirements and tests. Must be installed by a suitably qualified person in accordance with all relevant legislation. Ambient operating temperature of 0°C to 25°C. If maximum operating temperature is exceeded luminaire will automatically dim / switch off. Terminal blocks are rated to 16A unless stated otherwise. The light source contained in this luminaire shall only be replaced by the manufacturer or his service agent or a similar qualified person. **LUMINAIRES WITH EMERGENCY PACK:** When supply is isolated battery output terminals may be live if battery is connected. Isolate mains and battery before servicing. Emergency luminaires require unswitched live connection taken from same phase as switched supply. When unswitched supply is connected status indicator illuminates green, when unswitched supply is disconnected indicator extinguishes and luminaire operates in emergency mode. 24 hour charge period required before undertaking full discharge test. Emergency test sheets provided should be used to record all emergency tests. Batteries should be replaced when 3 hour duration is not met. Excessive switching of permanent live may result in premature battery failure. Battery electrolyte can be harmful to eyes / open wounds, do not puncture, if electrolyte touches skin / eyes flush with water. Do not incinerate batteries.

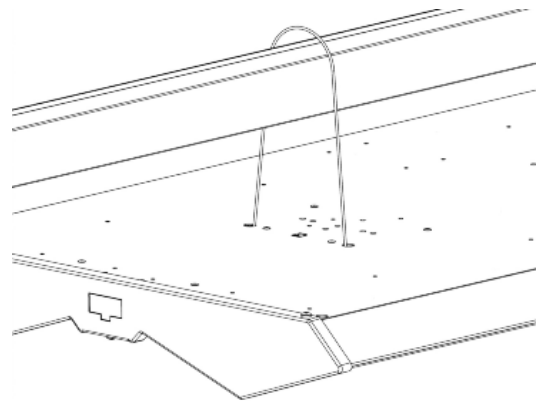
1. Trunking Mounted



Unpack luminaire carefully from packaging. Using the two 10mm rounds at either end, and the safety tethers provided, suspend the luminaire from the trunking.

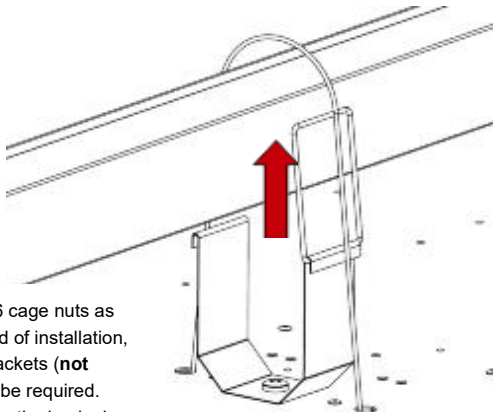


2.



NOTE: THESE TETHERS ARE NOT TO BE THE SOLE METHOD OF INSTALLATION. ONLY TO BE USED AS A PRECAUTION.

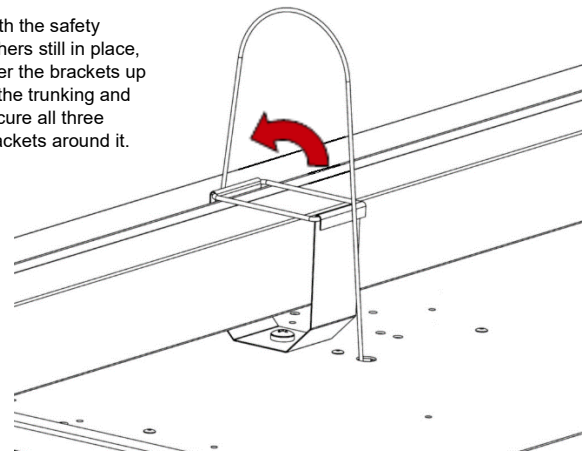
3.



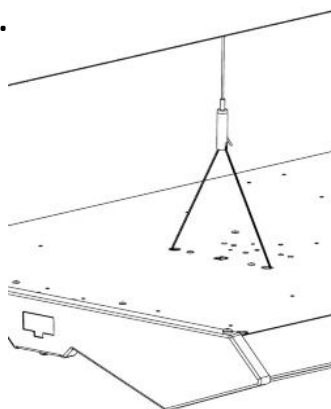
If using the M6 cage nuts as chosen method of installation, 3x trunking brackets (**not supplied**) will be required. Secure these to the luminaire using 3x M6x20 (or similar) screws (**not supplied**).

4.

With the safety tethers still in place, offer the brackets to the trunking and secure all three brackets around it.



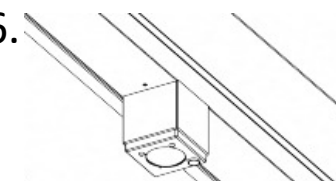
5.



If the luminaire requires suspending, the two 10mm rounds at either end on the rear are to be used along with suitable suspension toggles (not provided).

It is the contractor's responsibility to ensure the luminaire is level when suspended.

6.



Sensor Option

NOTE: NOT RECOMMENDED FOR CHAIN OR NON-RIGID FIXING WHEN USED WITH SENSOR

Mains connections may vary dependent upon the product ordered.

For flex connection,
- Remove cover plate at rear of body
- Pass flex through the cable entry hole
- Connect to terminals as marked
- Replace cover plate

For panel mount connection,
- The appropriate connector must be selected and wired to match the configuration of the panel mount supplied with the fitting.

Maintenance

- ① Disconnect luminaire before undertaking any maintenance or cleaning.
- ② Cleaning should be undertaken on external parts of the luminaire only using a slightly damp lint free cloth.
- ③ Remove screwcap cover to access screws on gear cover. To remove screws use a pan pozi screwdriver.
- ④ To access LED circuit use a pan pozi screwdriver to remove screws on the underside of the end caps. Diffuser will then be able to slide out.
- ⑤ Use a pan pozi screwdriver to remove components.
- ⑥ Please contact Dextra for assistance with spare components supply.

