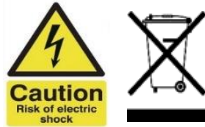


# Coldbay Installation (Remote Gear)

220-240V / 50-60Hz  
IP65



**WARNING:** Luminaire must be earthed. Risk of electric shock from LED boards if operated with cover removed. Installation / operation outside of luminaires intended scope invalidates warranty. Suitable only for domestic / light industrial / industrial applications within the scope of EN55015. Tested to compliance with BSEN 60598: specification for general requirements and tests. Must be installed by a suitably qualified person in accordance with all relevant legislation. Ambient operating temperature of 0°C to 25°C. If maximum operating temperature is exceeded luminaire will automatically dim / switch off. Terminal blocks are rated to 16A unless stated otherwise. The light source contained in this luminaire shall only be replaced by the manufacturer itself or his service agent or a similar qualified person. **LUMINAIRES WITH EMERGENCY PACK:** When supply is isolated battery output terminals may be live if battery is connected. Isolate mains and battery before servicing. Emergency luminaires require unswitched live connection taken from same phase as switched supply. When unswitched supply is connected status indicator illuminates green, when unswitched supply is disconnected indicator extinguishes and luminaire operates in emergency mode. 24 hour charge period required before undertaking full discharge test. Emergency test sheets provided should be used to record all emergency tests. Batteries should be replaced when 3 hour duration is not met. Excessive switching of permanent live may result in premature battery failure. Battery electrolyte can be harmful to eyes / open wounds, do not puncture, if electrolyte touches skin / eyes flush with water. Do not incinerate batteries.

Terminal Labelling:	
<b>Power</b>	
L1	Switched Live
E	Earth
N	Neutral
<b>Emergency</b>	
L2	Unswitched Live
DA/AT3	DALI Autotest
DA/AT3	DALI Autotest
<b>Dimming</b>	
-D1/DA	Analogue/DSI/DALI
+D2/DA	Analogue/DSI/DALI
L3	Switch Dim / Corridor Function

**1.** Fix luminaire head to the ceiling using suitable screws (not provided) and the plastic spacers provided. The 20mm hole in the fixing bracket should be aligned with the conduit in the ceiling.

**2.** Feed the cabling up through the conduit.

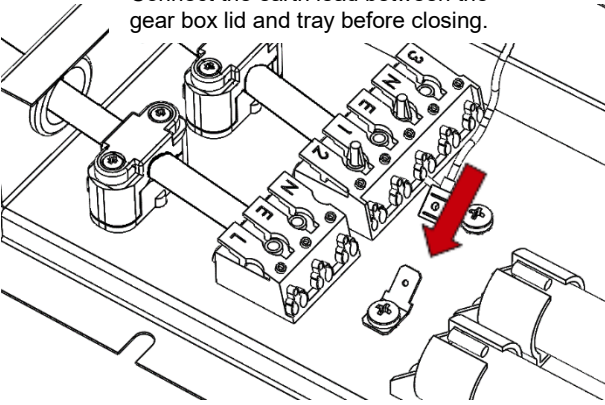
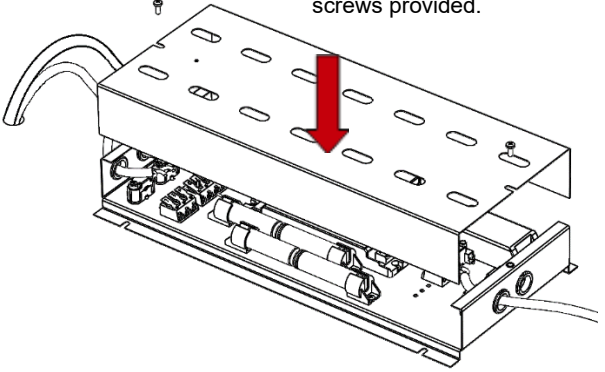
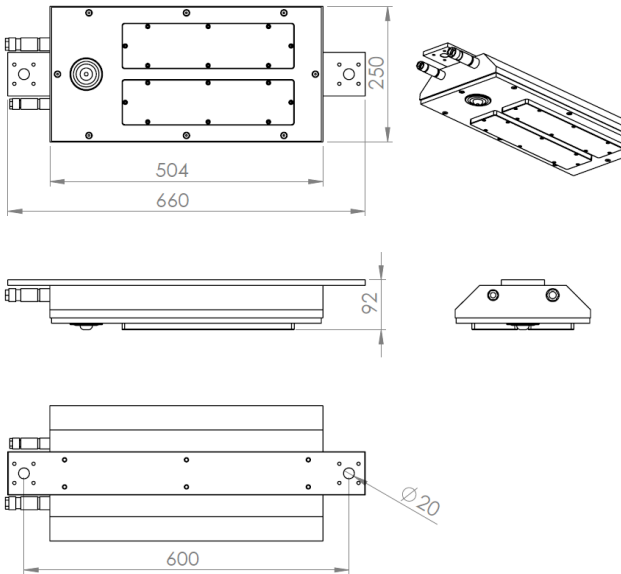
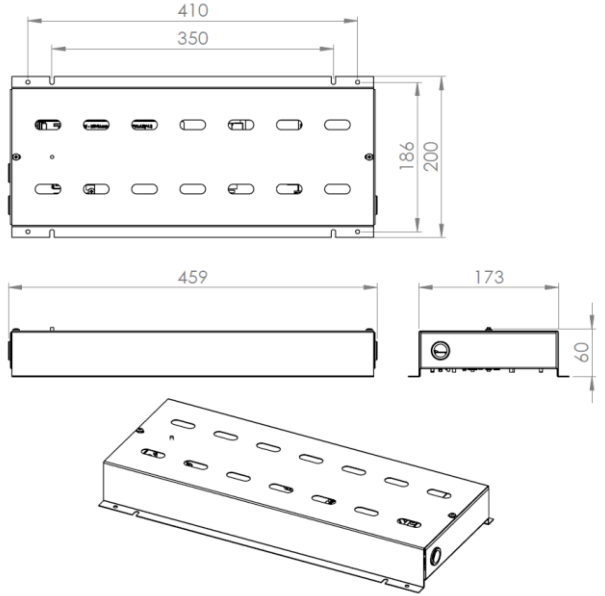
**3.** Connect the luminaire head cabling to the remote gear box. Ensure cable restraint is used.

**4.** Close attention should be paid to the labelling of the cables. Flex 1 and Flex 2 cables should be connected to respective terminal blocks.

**5.** Connect the plugs to the luminaire head sockets.

**6.** Feed mains cabling into the gear box and wire into respective terminals. Ensure cable restraint is used.

## Coldbay Installation (Remote Gear)

<p><b>7.</b> Connect the earth lead between the gear box lid and tray before closing.</p> 	<p><b>8.</b> Replace the gear box lid with screws provided.</p> 
<p><b>9.</b></p> <p><b>Operating Temperatures:</b> -40°C to +25°C</p>	<p><b>10.</b></p>
	
<p><b>Maintenance</b></p> <ol style="list-style-type: none"> <li>1 Disconnect luminaire before undertaking any maintenance or cleaning.</li> <li>2 Cleaning should be undertaken on external parts of the luminaire only using a slightly damp lint free cloth.</li> <li>3 Use an Allen Key to remove all screws from frame.</li> <li>4 To access LED circuit use an Allen Key to remove screws from lens.</li> <li>5 Use a pan pozi screwdriver to remove lid from remote box and components.</li> <li>6 Please contact Dextra for assistance with spare component supply.</li> </ol> 