

Opus Column Wall Mount Bracket

220-240V / 50-60Hz

IP65

IK09

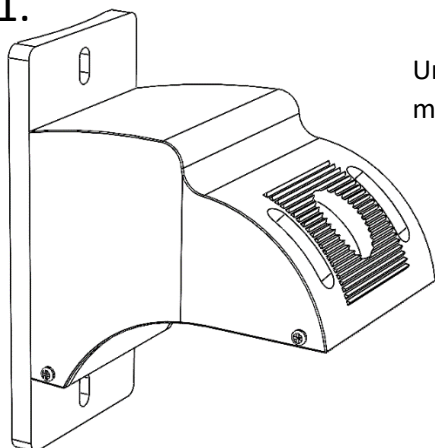


Terminal Labelling:

Power	
L1	Switched Live
E	Earth
N	Neutral
Emergency	
L2	Unswitched Live
DA/AT3	DALI Autotest
DA/AT3	DALI Autotest
Dimming	
-D1/DA	Analogue/DSI/DALI
+D2/DA	Analogue/DSI/DALI
L3	Switch Dim / Corridor Function

WARNING: Luminaire must be earthed. Risk of electric shock from LED boards if operated with cover removed. Installation / operation outside of luminaires intended scope invalidates warranty. Suitable only for domestic / light industrial / industrial applications within the scope of EN55015. Tested to compliance with BSEN 60598: specification for general requirements and tests. Must be installed by a suitably qualified person in accordance with all relevant legislation. Ambient operating temperature of 0°C to 25°C. If maximum operating temperature is exceeded luminaire will automatically dim / switch off. Terminal blocks are rated to 16A unless stated otherwise. The light source contained in this luminaire shall only be replaced by the manufacturer or his service agent or a similar qualified person. **LUMINAIRES WITH EMERGENCY PACK:** When supply is isolated battery output terminals may be live if battery is connected. Isolate mains and battery before servicing. Emergency luminaires require unswitched live connection taken from same phase as switched supply. When unswitched supply is connected status indicator illuminates green, when unswitched supply is disconnected indicator extinguishes and luminaire operates in emergency mode. 24 hour charge period required before undertaking full discharge test. Emergency test sheets provided should be used to record all emergency tests. Batteries should be replaced when 3 hour duration is not met. Excessive switching of permanent live may result in premature battery failure. Battery electrolyte can be harmful to eyes / open wounds, do not puncture, if electrolyte touches skin / eyes flush with water. Do not incinerate batteries.

1.

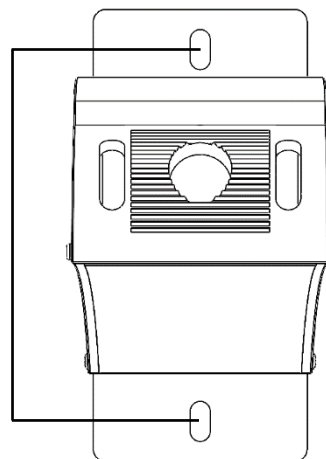


Unpack wall mount bracket

2.

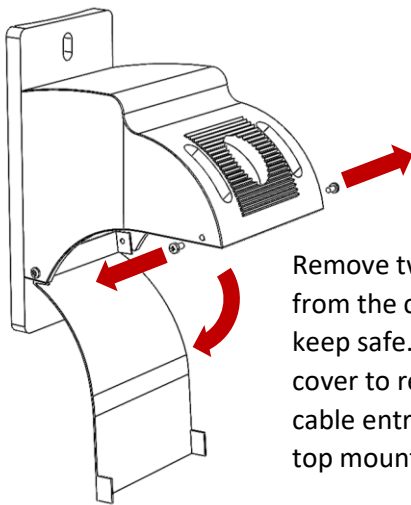
Attach wall mount bracket to selected wall using the holes shown.

(Fixings not supplied)



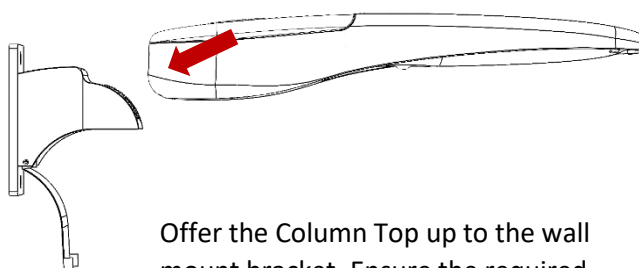
147mm fixings

3.



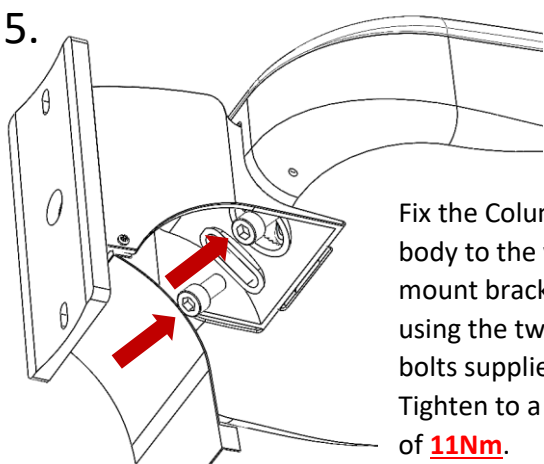
Remove two screws from the cover and keep safe. Open the cover to reveal the cable entry and column top mounting points.

4.



Offer the Column Top up to the wall mount bracket. Ensure the required mounting angle is selected using the 2.5° angle markings.

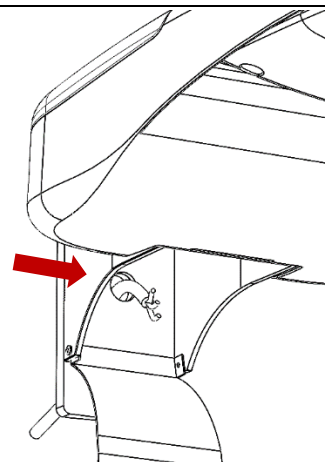
5.



Fix the Column Top body to the wall mount bracket using the two M10 bolts supplied. Tighten to a torque of **11Nm**.

6.

Feed the mains cable through the cable entry. Continue to wire and install the Column Top as per the separate Column Top installation leaflet DIL-0186-0001.



Opus Column Wall Mount Bracket

Maintenance

- 1 Disconnect luminaire before undertaking any maintenance or cleaning.
- 2 Cleaning should be undertaken on external parts of the luminaire only using a slightly damp lint free cloth.
- 3 To open lid push down on centre to release the lid and access gear tray.
- 4 Gear tray and components are removable by using a pan pozi screwdriver.
- 5 To access LED circuit use an allen key to remove diffuser then use a pan pozi screwdriver to remove lens.
- 6 Please contact Dextra for assistance with spare component supply.

