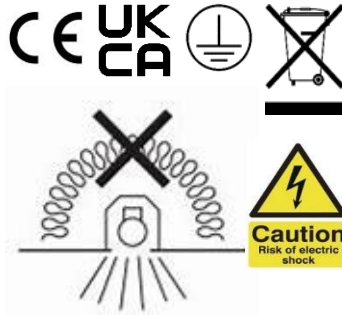


220-240V / 50-60Hz
IP20



WARNING: Luminaire must be earthed. Risk of electric shock from LED boards if operated with cover removed. Installation / operation outside of luminaires intended scope invalidates warranty. Suitable only for domestic / light industrial / industrial applications within the scope of EN55015. Tested to compliance with BSEN 60598: specification for general requirements and tests. Must be installed by a suitably qualified person in accordance with all relevant legislation. Ambient operating temperature of 0°C to 25°C. If maximum operating temperature is exceeded luminaire will automatically dim / switch off. Terminal blocks are rated to 16A unless stated otherwise. The light source contained in this luminaire shall only be replaced by the manufacturer or his service agent or a similar qualified person. **LUMINAIRES WITH EMERGENCY PACK:** When supply is isolated battery output terminals may be live if battery is connected. Isolate mains and battery before servicing. Emergency luminaires require unswitched live connection taken from same phase as switched supply. When unswitched supply is connected status indicator illuminates green, when unswitched supply is disconnected indicator extinguishes and luminaire operates in emergency mode. 24 hour charge period required before undertaking full discharge test. Emergency test sheets provided should be used to record all emergency tests. Batteries should be replaced when 3 hour duration is not met. Excessive switching of permanent live may result in premature battery failure. Battery electrolyte can be harmful to eyes / open wounds, do not puncture, if electrolyte touches skin / eyes flush with water. Do not incinerate batteries.

Terminal Labelling:	
Power	
L1	Switched Live
E	Earth
N	Neutral
Emergency	
L2	Unswitched Live
DA/AT3	DALI Autotest
DA/AT3	DALI Autotest
Dimming	
-/D1/DA	Analogue/DSI/DALI
+/D2/DA	Analogue/DSI/DALI
L3	Switch Dim / Corridor Function

1.

Unpack luminaire and locate the 2x mounting brackets.

NOTE: Style will vary for housing variant.

2.

Secure mounting brackets into housing using nut and bolts provided.

3.

Raise luminaire up to housing and locate tethers.

4.

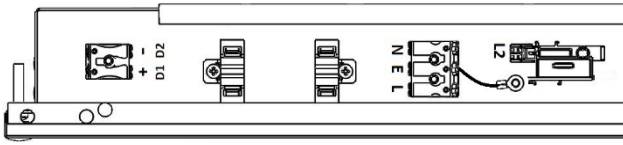
Using the tether that are provided, secure the luminaire into the housing.

5.

6.

Allow the housing to hang from the housing whilst locating mains cable(s).

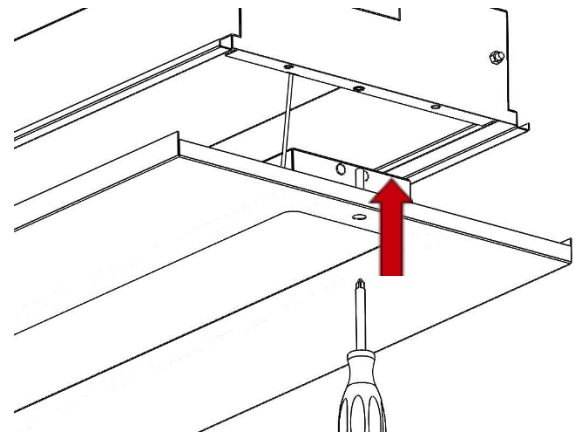
7.



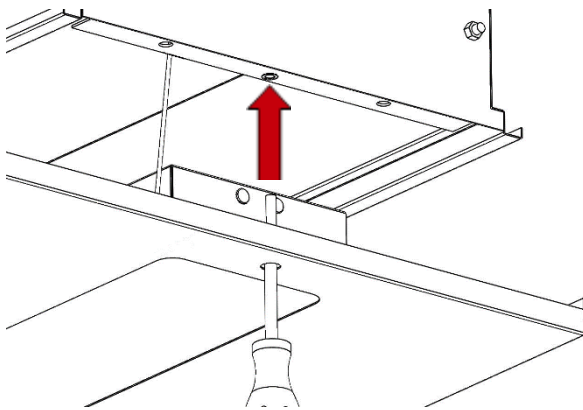
Feed mains cable in and wire to the relevant terminals. Secure cables in cable clamps provided.

NOTE: Terminals are marked for convenience.

8.

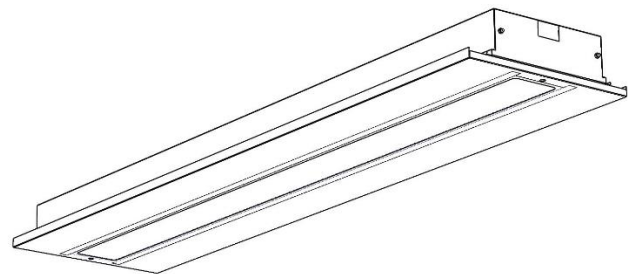


9.



10.

Locate the screws attached in the ends of the luminaire. Using a suitable pan pozi screwdriver, secure the luminaire into the corresponding nutserts in the mounting brackets.



Maintenance

- ① Disconnect luminaire before undertaking any maintenance or cleaning.
- ② Cleaning should be undertaken on external parts of the luminaire only using a slightly damp lint free cloth.
- ③ To remove frame use a pan pozi screwdriver to remove all screws.

- ④ Use a pan pozi screwdriver to remove components.
- ⑤ Please contact Dextra for assistance with spare component supply.

