

## Generic Infill Ring Installation Guide

220-240V / 50-60Hz  
IP\*\*

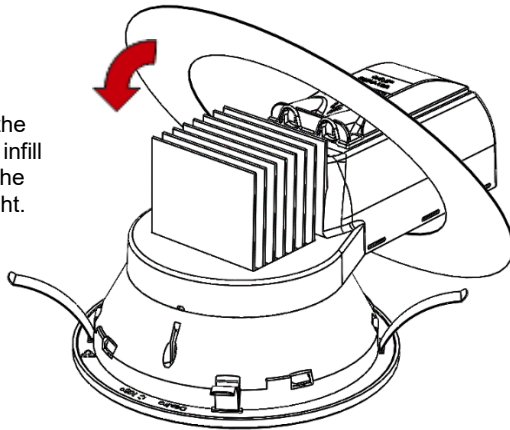


| Terminal Labelling: |                                |
|---------------------|--------------------------------|
| <b>Power</b>        |                                |
| L1                  | Switched Live                  |
| E                   | Earth                          |
| N                   | Neutral                        |
| <b>Emergency</b>    |                                |
| L2                  | Unswitched Live                |
| DA/AT3              | DALI Autotest                  |
| DA/AT3              | DALI Autotest                  |
| <b>Dimming</b>      |                                |
| -D1/DA              | Analogue/DSI/DALI              |
| +D2/DA              | Analogue/DSI/DALI              |
| L3                  | Switch Dim / Corridor Function |

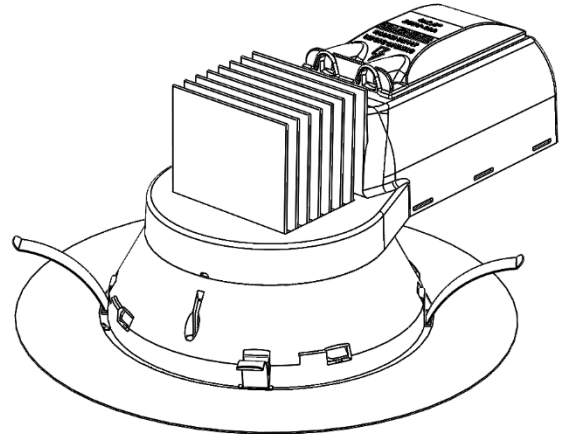
**WARNING:** Luminaire must be earthed. Risk of electric shock if operated with cover removed. Installation / operation outside of luminaires intended scope invalidates warranty. Suitable only for domestic / light industrial / industrial applications within the scope of EN55015. Tested to compliance with BSEN 60598: specification for general requirements and tests. Must be installed by a suitably qualified person in accordance with all relevant legislation. Ambient operating temperature of 0°C to 25°C. If maximum operating temperature is exceeded luminaire will automatically dim / switch off. Terminal blocks are rated to 16A unless stated otherwise. The light source is non replaceable. **LUMINAIRES WITH EMERGENCY PACK:** When supply is isolated battery output terminals may be live if battery is connected. Isolate mains and battery before servicing. Emergency luminaires require unswitched live connection taken from same phase as switched supply. When unswitched supply is connected status indicator illuminates green, when unswitched supply is disconnected indicator extinguishes and luminaire operates in emergency mode. 24 hour charge period required before undertaking full discharge test. Emergency test sheets provided should be used to record all emergency tests. Batteries should be replaced when 3 hour duration is not met. Excessive switching of permanent live may result in premature battery failure. Battery electrolyte can be harmful to eyes / open wounds, do not puncture, if electrolyte touches skin / eyes flush with water. Do not incinerate batteries.

1.

Attach the circular infill ring to the downlight.

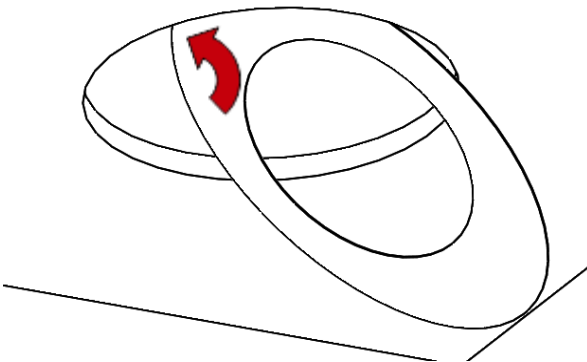


2.

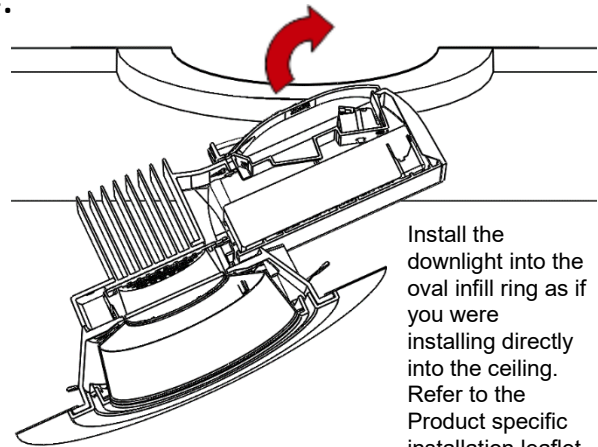


3.

Insert the oval infill ring through the aperture in the ceiling and let it rest on the ceiling. The oval infill ring should be narrow enough to fit through your ceiling aperture.

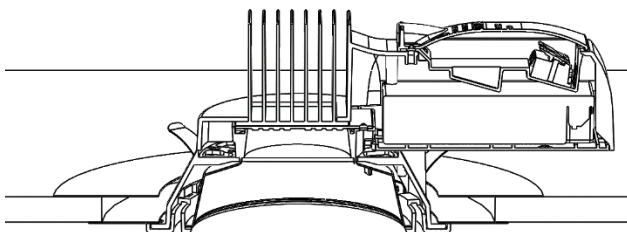


4.



Install the downlight into the oval infill ring as if you were installing directly into the ceiling. Refer to the Product specific installation leaflet.

5.



The downlight will need to be centralised in the ceiling aperture to ensure no gaps are visible.

6.