

220-240V / 50-60Hz
IP20

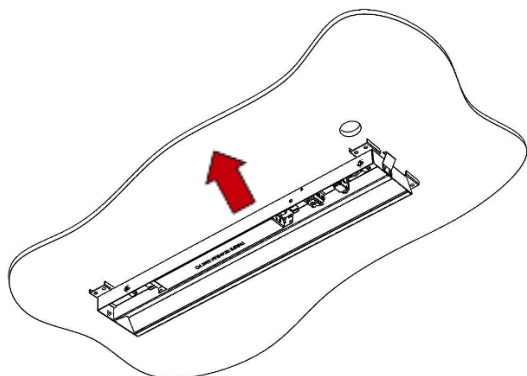


Terminal Labelling:	
Power	
L1	Switched Live
E	Earth
N	Neutral
Emergency	
L2	Unswitched Live
DA/AT3	DALI Autotest
DA/AT3	DALI Autotest
Dimming	
-/D1/DA	Analogue/DSI/DALI
+/D2/DA	Analogue/DSI/DALI
L3	Switch Dim / Corridor Function



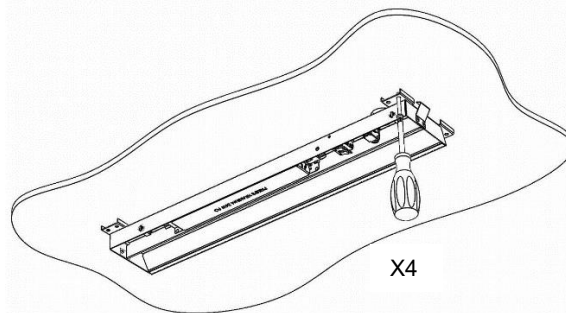
WARNING: Luminaire must be earthed. Risk of electric shock from LED boards if operated with cover removed. Installation / operation outside of luminaires intended scope invalidates warranty. Suitable only for domestic / light industrial / industrial applications within the scope of EN55015. Tested to compliance with BSEN 60598: specification for general requirements and tests. Must be installed by a suitably qualified person in accordance with all relevant legislation. Ambient operating temperature of 0°C to 25°C. If maximum operating temperature is exceeded luminaire will automatically dim / switch off. Terminal blocks are rated to 16A unless stated otherwise. The light source contained in this luminaire shall only be replaced by the manufacturer or his service agent or a similar qualified person. **LUMINAIRES WITH EMERGENCY PACK:** When supply is isolated battery output terminals may be live if battery is connected. Isolate mains and battery before servicing. Emergency luminaires require unswitched live connection taken from same phase as switched supply. When unswitched supply is connected status indicator illuminates green, when unswitched supply is disconnected indicator extinguishes and luminaire operates in emergency mode. 24 hour charge period required before undertaking full discharge test. Emergency test sheets provided should be used to record all emergency tests. Batteries should be replaced when 3 hour duration is not met. Excessive switching of permanent live may result in premature battery failure. Battery electrolyte can be harmful to eyes / open wounds, do not puncture, if electrolyte touches skin / eyes flush with water. Do not incinerate batteries.

1.



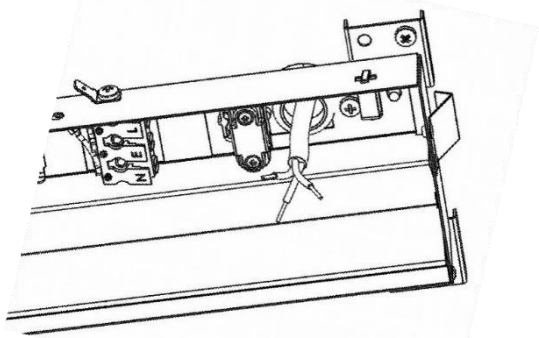
Having prepared ceiling (cable entry and fixing points), offer gear tray up and secure in place

2.



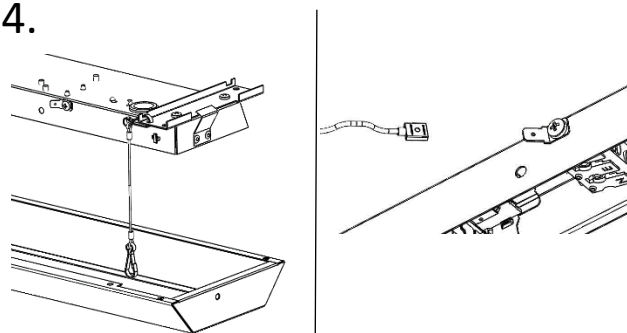
Fix to ceiling with minimum of 4 fixings. (Fixings not supplied, appropriate fixings responsibility of installer).

3.



Feed mains cable through grommet and clamp, make electrical connection. **Ensure clamp is fastened fully to avoid fouling the housing.**

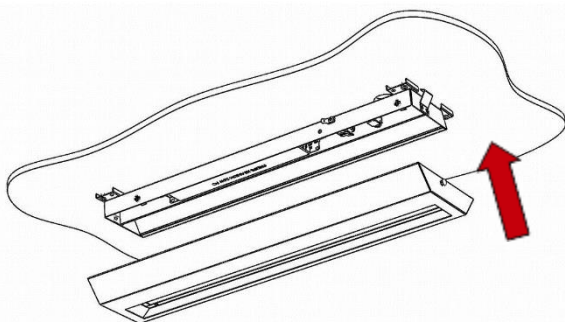
4.



Attach x2 wire tethers to support front frame

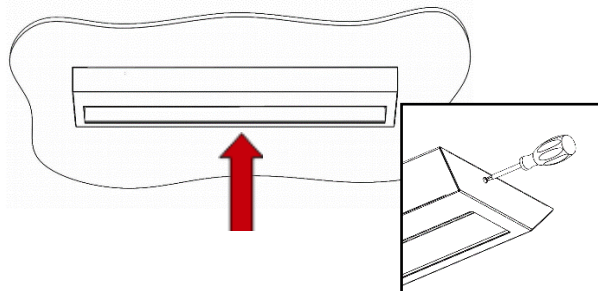
Connect earth lead from housing to gear tray.

5.



Offer front frame up to gear tray – make sure earth cable is connected!

6.



Align front frame to gear tray, ensuring no cables are trapped and both springs positively engage. Note, to remove frame, push small flat-head screwdriver into end holes – this will disengage springs.

Axant Surface Installation

Maintenance

- 1 Disconnect luminaire before undertaking maintenance or cleaning.
- 2 Cleaning should be undertaken on external parts of the luminaire only using a slightly damp lint free cloth.
- 3 To remove frame push a flat head screwdriver into the end holes – this will disengage springs.
- 4 To access LED circuits use a pan pozi screwdriver to remove reflector from tray.
- 5 Use a pan pozi screwdriver to remove components.
- 6 Please contact Dextra for assistance with spare component supply.

